

Reliability in Action



LG938, LG958

WHEEL LOADER



IMPROVED AND READY TO PERFORM

It's time to move material and your productivity to new levels of versatile efficiency. With improved features, Lingong LG938 and LG958 help you do it all – with ease, stability, durability and efficiency.



LG938

Standard Features

- DF Cummins 6BT5.9 C-130
- 4F/3R Counter Shaft Transmission with kick down function
- 1.8m³ General purpose bucket with teeth
- 17.5 R25 16 ply tube tire
- Air conditioned cabin
- Steering knob
- Single joystick boom and bucket control
- Adjustable boom and bucket positioner
- Fuel gauge
- Hour meter
- Speedometer
- Warning and indicator lights
- Adjustable seat and steering pedestal
- Radio
- Service platforms with perforated surface on front and rear fenders
- 2 front head lights
- Parking lights
- Brake and tail lights
- 4 Cab mounted work lights
- Turn signals with flashing hazard light function
- Instrument lightings
- Back-up alarm
- Openable window, right side
- Exterior rear view mirrors
- Interior rear view mirror
- Front & rear windshield wiper
- Easy to open side panels
- Lifting eyes

Selected Options

- ROPS Cab
- Rotating beacon
- CD player
- Long boom
- 2.8m³ Light material bucket
- 1.5m³ Rock bucket
- Bolt on edge

LG958

Standard Features

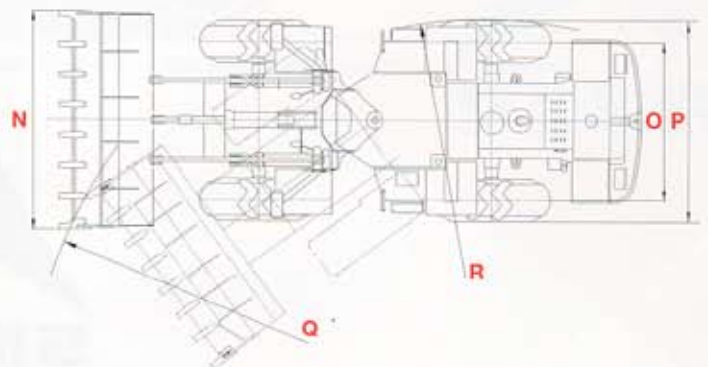
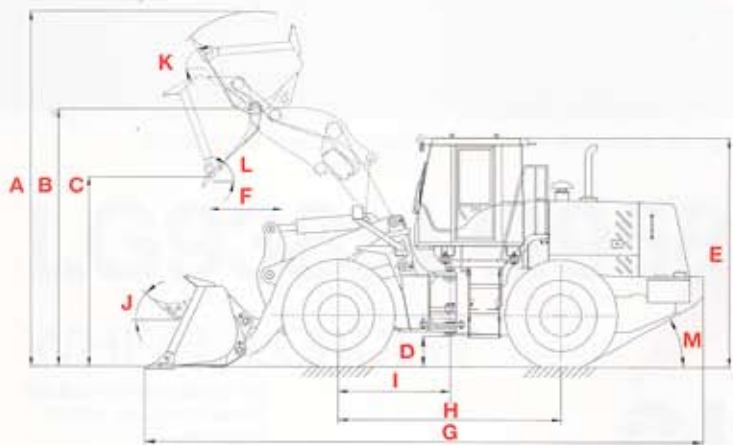
- DF Cummins 6CTA8.3 C-215
- 4F/3R Counter Shaft Transmission with kick down function
- 3m³ General purpose bucket with teeth
- 23.5 R25 16 ply tube tire
- Air conditioned cabin
- Steering knob
- Single joystick boom and bucket control
- Adjustable boom and bucket positioner
- Fuel gauge
- Hour meter
- Speedometer
- Warning and indicator lights
- Adjustable seat and steering pedestal
- Radio
- Service platforms with perforated surface on front and rear fenders
- 2 front head lights
- Parking lights
- Brake and tail lights
- 4 Cab mounted work lights
- Turn signals with flashing hazard light function
- Instrument lightings
- Back-up alarm
- Openable window, right side
- Exterior rear view mirrors
- Interior rear view mirror
- Front & rear windshield wiper
- Easy to open side panels
- Lifting eyes

Selected Options

- ROPS Cab
- Rotating beacon
- CD player
- Long boom
- 4.2m³ Light material bucket
- 2.4m³ Rock bucket
- Bolt on edge

SPECIFICATIONS

Model	LG938		LG958		
Engine					
Make	Dong Feng Cummins 6BT5.9 C-130		Dong Feng Cummins 6CTA8.3 C-215		
Type	4-strokes Cycle, 6 Cylinders, Direct injection, Turbo charge				
Bore	mm	102	114		
Stroke	mm	120	135		
Capacity	cc	5 900	8 300		
Flywheel Horsepower	BHP/KW @ 2 200rpm	130/97	215/160		
Maximum Torque	Nm @ 1 500rpm	560	908		
Fuel Tank Capacity	l	140	295		
Loader Equipment					
Hydraulic Cycle time	sec	9.2	9.7		
System Working Pressure	MPa	16	18		
Lifting Capacity	kg	3 000	5 000		
Breakout Force	KN	≥96	>160		
Static Tipping Load	Full Turn KN	66	100		
Operating Weight	kg	10 700	16 500		
Transmission					
Type	Countershaft hydro-electric shift				
No. of Forward/Reverse Gears	4F/3R		4F/3R		
Road Speed		Forward	Reverse	Forward	Reverse
	1st (km/h)	7	7	7	7
	2nd (km/h)	12	12	12	12
	3rd (km/h)	27	27	27	27
	4th (km/h)	36	-	36	-
Steering					
Type	Articulated load sensing hydraulic				
Steering Angle	38°		38°		
Service Fill Capacity & Service Interval					
		Capacity (l)	Interval (hrs)	Capacity (l)	Interval (hrs)
Cooling System		31	1 000	45	1 000
Crankcase		16.3	250	22.6	250
Transmission		25	1 000 (first 250)	35	1 000 (first 250)
Final Drives		32	1 000 (first 250)	32	1 000 (first 250)
Hydraulic System		130	1 000	200	1 000
Dimensions					
	A	mm	4 877	5 493	
	B	mm	3 790	4 128	
	C	mm	2 950	3 120	
	D	mm	370	457	
	E	mm	3 170	3 382	
	F	mm	1 050	1 120	
	G	mm	7 100	8 017	
	H	mm	2 850	3 200	
	I	mm	1 425	1 600	
	J		45°	50°	
	K		62°	63°	
	L		45°	45°	
	M		30°	30°	
	N	mm	2 510	3 024	
	O	mm	1 865	2 190	
	P	mm	2 310	2 785	
	Q	mm	R5912	R6746	
	R	mm	R5381	R6036	





Reliability is the foundation on which we build customer trust and loyalty. We build reliable and productive machines with a goal to offer services which exceed our customers expectations. We strongly believe that our steady commitment to quality will offer customers the best profit solutions when using our products.

Not all products are available in all markets. Under our policy of continuous improvement, we reserve the right to change specifications and design without prior notice. The illustrations do not necessarily show the standard version of the machine.



Ref. No. SDLG SEA 938 958 0001
Printed in Singapore 2009.05
English, SEA